

Ray wild

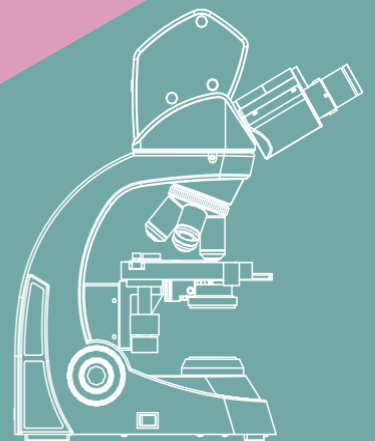
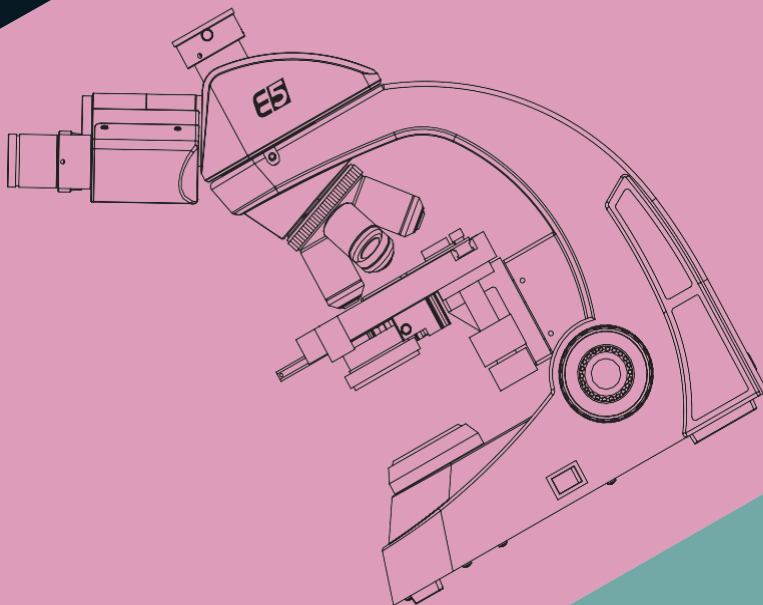
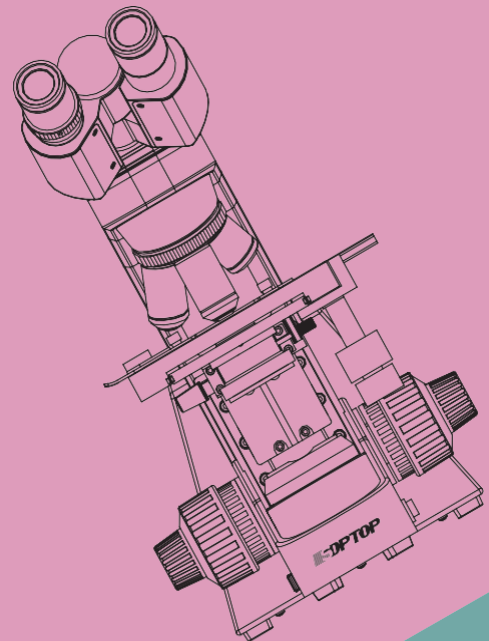
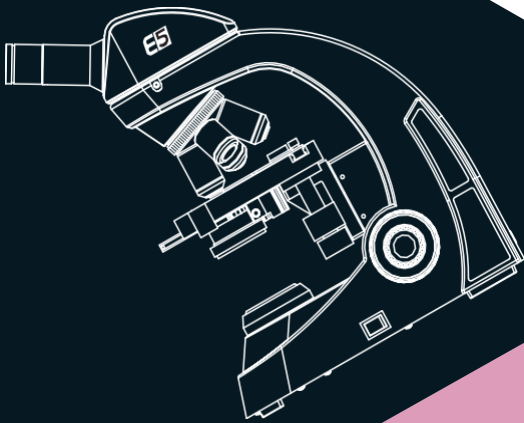
Ray Wild Limited Company
Germany

WWW.Raywild-de.com

We focus on high quality products with competitive prices and after sales service

STAR E5

Series Biological Microscope





Personal belonging of young scientists

Star E5 series biological microscope with elaborate appearance and reliable quality, is beautiful and practical. It's easy operation and clear image inspire students' imagination and interesting of microscopy world, is helpful to explore the mystery of life science. New generation of scientists are born from here.



Ray wild

Ray Wild Limited Company
Germany

WWW.Raywild-de.com

We focus on high quality products with competitive prices and after sales service



Compact and solid, innovative frame

High rigid but small as Star E5 series is, specially designed for students. The frame with hollow design is lightweight but stable, easy to carry. Pure white body with blue on the both sides, is fresh

Ergonomics design

According to different interpupillary distances and eyesights of different people, the spacing of binocular tubes can be adjustable from 50mm to 75mm and the left tube with the focusing device, diopter is ± 5 adjustable.

and vivid.

140mmX132mm double layer mechanical stage with round corners avoids the harm caused by accidental impact. Combining X/Y coaxial adjustment with the scale (0.1mm) on the stage, easy operation and precision position are available.

145mmX132mm or 124mmX135mm double layer mechanical stage with round corners avoids the harm caused by accidental impact. Combining X/Y coaxial adjustment with the scale (0.1mm) on the stage, easy operation and precision position are available.

With center presetting, the Abbe condenser is non-removable, kept with correct factory set all the way. With iris diaphragm and filter holder, different backlights are usable to improve the image contrast.

Coaxial coarse and fine adjustments on both sides of the frame, are easy to focus by either hand. The tension of coarse knob is adjustable, and the precision of fine knob is 0.002mm. Upper limit design avoids the impact between objective and slide.

LED illumination system, multiple power supplies for option

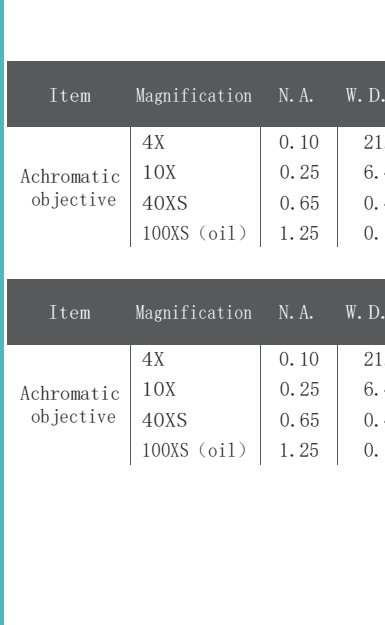
Star E5 series biological microscope adopts high performance LED illumination system with the characteristics of energy efficiency, environmental protection and long lifetime. With separated power switch and light dimmer, its intensity is adjustable.

- Built-in rechargeable batteries for option, is useful for field operation or off-position. It must be the best choice of field experiments as 8 hours continuous working is available.

- Special illumination system for health detection adopts EMC design, external wide voltage AC adapter, 100V-240V_AC50/60Hz input, 7.5V/2A output.

- Common illumination systems adopt

- 100V-240V_AC50/60Hz wide voltage, external or internal for option



Item	Magnification	N. A.	W. D. (mm)
Achromatic objective	4X	0.10	21.30
	10X	0.25	6.40
	40XS	0.65	0.48
	100XS (oil)	1.25	0.15

Item	Magnification	N. A.	W. D. (mm)
Achromatic objective	4X	0.10	21.30
	10X	0.25	6.40
	40XS	0.65	0.48
	100XS (oil)	1.25	0.15

0.17	45	195
0.17	45	195



Ray Wild Limited Company
Germany

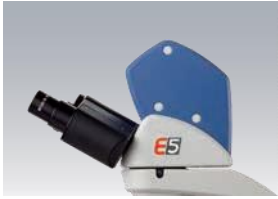
WWW.Raywild-de.com

We focus on high quality products with competitive prices and after sales service

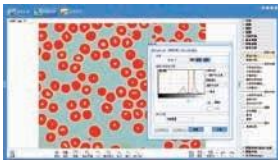


With Star E5 trinocular microscope and digital microscope, photograph, storage, analysis and transmission are achievable.

Connecting Star E5 built-in digital viewing head to the computer by USB cable, and combining with MViImage' professional image analysis software, image statistics, analysis and processing are available.



Assembling an external camera (OD series cameras) on the trinocular viewing head by C-mount, ' MvImage ' software is usable.



Assembling the D0500VSDH high-definition LCD module on Star E5 trinocular viewing head by 0.5X C-mount, photos and videos can be taken and stored in 4G SD card directly. All kinds of equipment with HDMI interface are connectable, such as HD display, HD projector and so on. Other common monitors and computers are connectable as well.



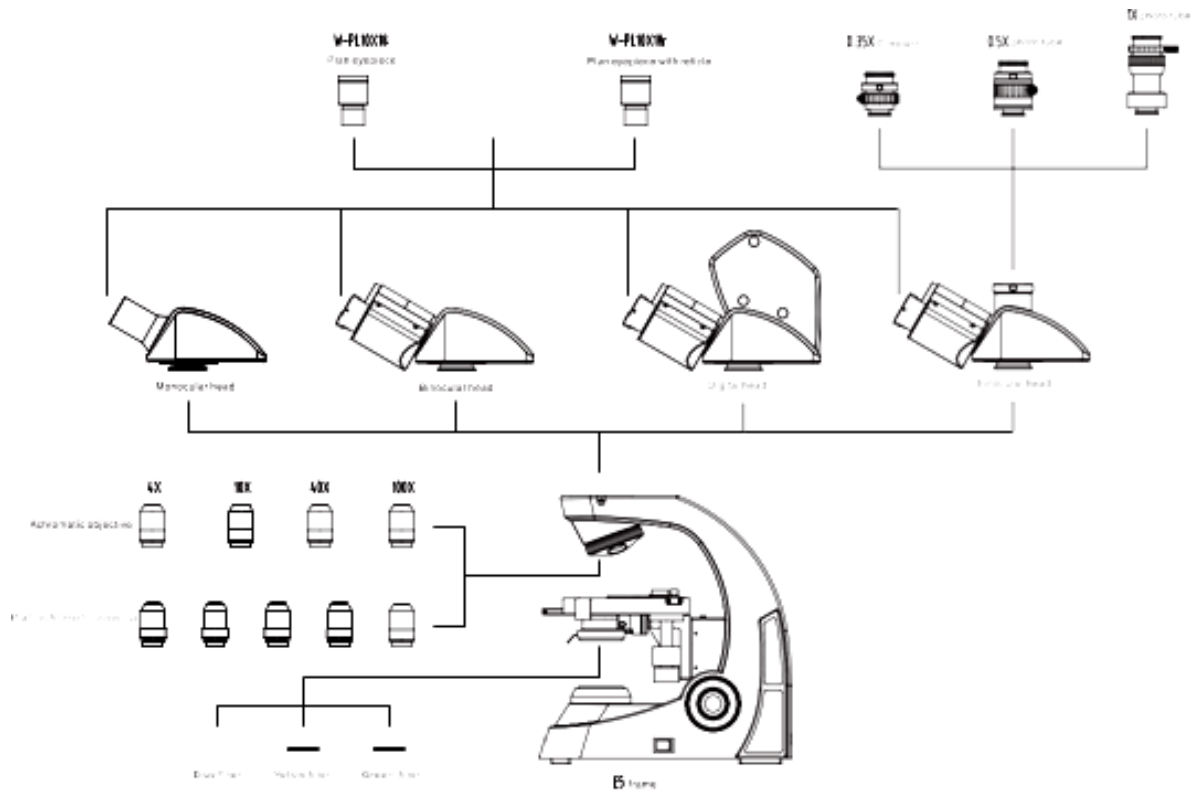
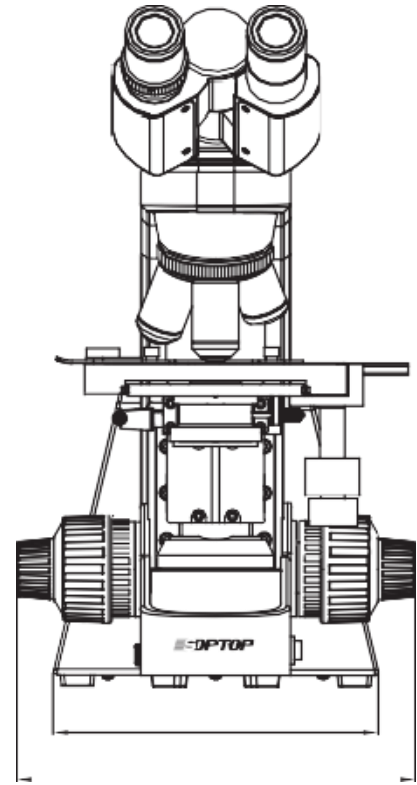
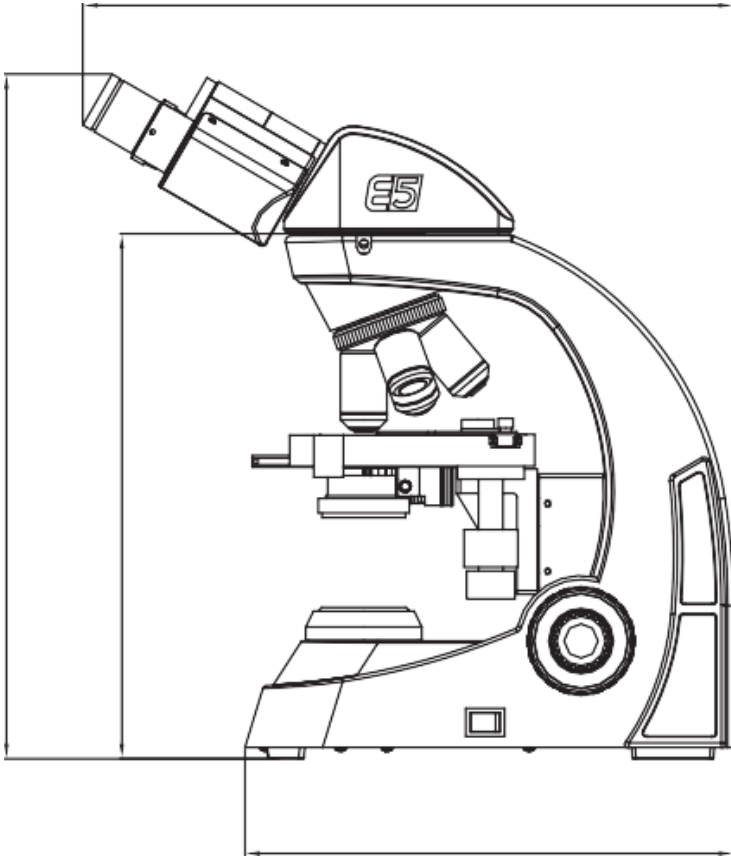
Ray Wild Limited Company
Germany

WWW.Raywild-de.com

We focus on high quality products with competitive prices and after sales service

Star E5 Specifications

Optical system	Finite color corrected optical system
	30° inclined monocular head
Viewing head	30° inclined binocular head, interpupillary distance: 50-75mm, ±5 diopter adjustable
	30° inclined trinocular head, splitting ratio R:T=80:20, interpupillary distance: 50-75mm, ±5 diopter adjustable
	30° inclined digital viewing head, built-in 3.0 mega pixels CMOS, USB output; interpupillary distance: 50-75mm, ±5 diopter adjustable
Eyepiece	Wide field plan eyepiece PL10X/18mm with/without reticle; PL10X/18mm with/without pointer
Objective	Achromatic objective (4X, 10X, 40XS, 100XS)
	Plan achromatic objective (4X, 10X, 20X, 40XS, 100XS)
Nosepiece	Quadruple nosepiece
	Coaxial coarse and fine adjustment, with coarse adjustment stop and tightness adjustment, range: 25mm, precision: 0.002mm.
	3W LED, center presetting, intensity adjustable, external wide voltage AC adapter, 100V-240V_AC50/60Hz input, DC7.5V 2A output.
	Coaxial coarse and fine adjustment, with coarse adjustment stop and tightness adjustment, range: 25mm, precision: 0.002mm. 3W LED, center presetting, intensity adjustable, external wide voltage AC adapter, 100V-240V_AC50/60Hz input, DC6V 2A output.
Frame	Coaxial coarse and fine adjustment, with coarse adjustment stop and tightness adjustment, range: 25mm, precision: 0.002mm. 3W LED, center presetting, intensity adjustable, internal switch 100V-240V_AC50/60Hz.
	Coaxial coarse and fine adjustment, with coarse adjustment stop and tightness adjustment, range: 25mm, precision: 0.002mm. 3W LED, center presetting, intensity adjustable, internal 4 pieces rechargeable batteries, external wide voltage battery charger, 100V-240V_AC50/60Hz input, DC6V 1A output.
	Coaxial coarse and fine adjustment, with coarse adjustment stop and tightness adjustment, range: 25mm, precision: 0.002mm. 3W LED, center presetting, intensity adjustable, internal switch 100V-240V_AC50/60Hz.
Stage	132mmX140mm double layers mechanical stage, moving range: 50mmX76mm, precision: 0.1mm.
	124mmX135mm double layers mechanical stage, moving range: 50mmX76mm, precision: 0.1mm.
Condenser	N.A.1.25 Abbe condenser with iris diaphragm
Others	Filters for transmitted light: blue/yellow/green
	Camera accessories: 0.35X/0.5X/1X focusing C-mount



Ray Wild Limited Company
Germany

WWW.Raywild-de.com

We focus on high quality products with competitive prices and after sales service