

# Ray wild

Ray Wild Limited Company  
Germany

[WWW.Raywild-de.com](http://WWW.Raywild-de.com)

We focus on high quality products with competitive prices and after sales service

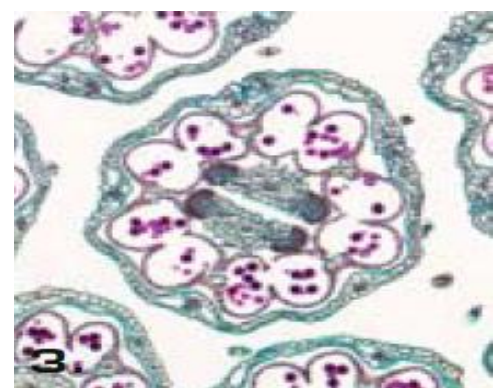
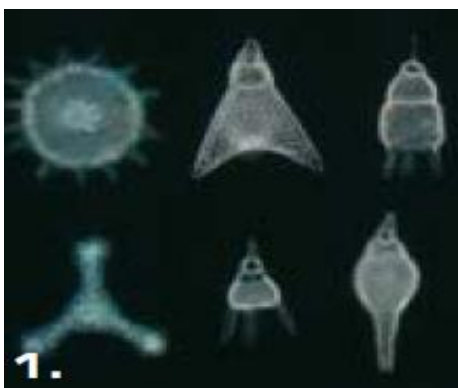
## Star EX31

As a national initiative design, the color temperature is adjustable between cool and warm.



Based on advanced optical and mechanical technology , Star EX31 is specially designed for teaching, lab and clinical diagnosis.

With excellent optical system and complete accessories, Star EX31 supports for bright/dark field, phase contrast, fluorescence, presents clear micro image. integrated with intellectualized design, such as adjustable color temperature, Star EX31 creates an easy and efficient work experience.



**Ray wild**

Ray Wild Limited Company  
Germany

[WWW.Raywild-de.com](http://WWW.Raywild-de.com)

We focus on high quality products with competitive prices and after sales service

## Cool or Warm, choose you want

to be observed under natural white light, some water white samples should adopts warm color for outline and detail check.

Unnecessary to add filters or change light source, color temperature range from 3000K to 5600K, Star 31 is able to meet different demands for best image.



3000K warm color LED (minimum)



5600K natural white LED (maximum)



## How to correct the color temperature

The color temperature of LED light source is adjustable by straight screwdriver



**Ray wild**

Ray Wild Limited Company  
Germany

[WWW.Raywild-de.com](http://WWW.Raywild-de.com)

We focus on high quality products with competitive prices and after sales service

### Engineering structure with practicality and aesthetic

The double-layer mechanical stage of Star EX31 adopts line rail for overload protection at the end of X axis, and avoids the potential hazard caused by moving rack.



### Intelligent illumination system

Star 31 with code nosepiece is able to automatically remember the light intensity of each objective which you are used to, helps to improve the work efficiency and decrease the visual fatigue.

LCD beside the frame shows color temperature and light intensity, as well as the objective magnification you are using, is helpful to make record of experiment condition.

**Ray wild**

Ray Wild Limited Company

Germany

[WWW.Raywild-de.com](http://WWW.Raywild-de.com)

We focus on high quality products with competitive prices and after sales service

LED fluorescence attachment

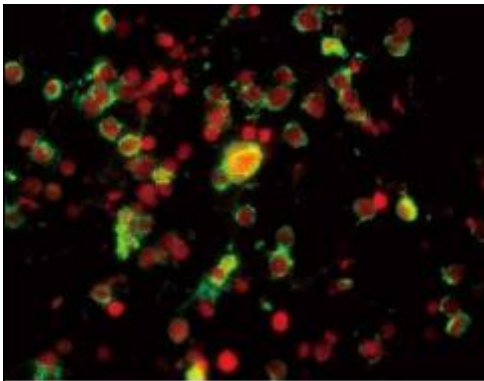


### Maneuverable LED fluorescence unit

With adjusting knob for light intensity, is flexible for different smears.

One button for bright field and fluorescence switch, is easy to convert the transmitted and reflected light.

LED light source, dispense with preheat and cooling, is safe and pro-environment with long lifetime.



UV2 (long pass) LED unit, center wavelength 365nm, is applied for DAPI/Hoechst 33342.

B4 LED unit for professional TB test, center wavelength 455nm, is applied for Auramine O/wt GFP.

B1 (band pass) LED unit, center wavelength 470nm, is applied for GFP/FITC.

G1 (band pass) LED unit, center wavelength 560nm, is applied for TexasRED/Cy3.5.

Other LED units for more option.



Ray Wild Limited Company  
Germany

[WWW.Raywild-de.com](http://WWW.Raywild-de.com)

We focus on high quality products with competitive prices and after sales service



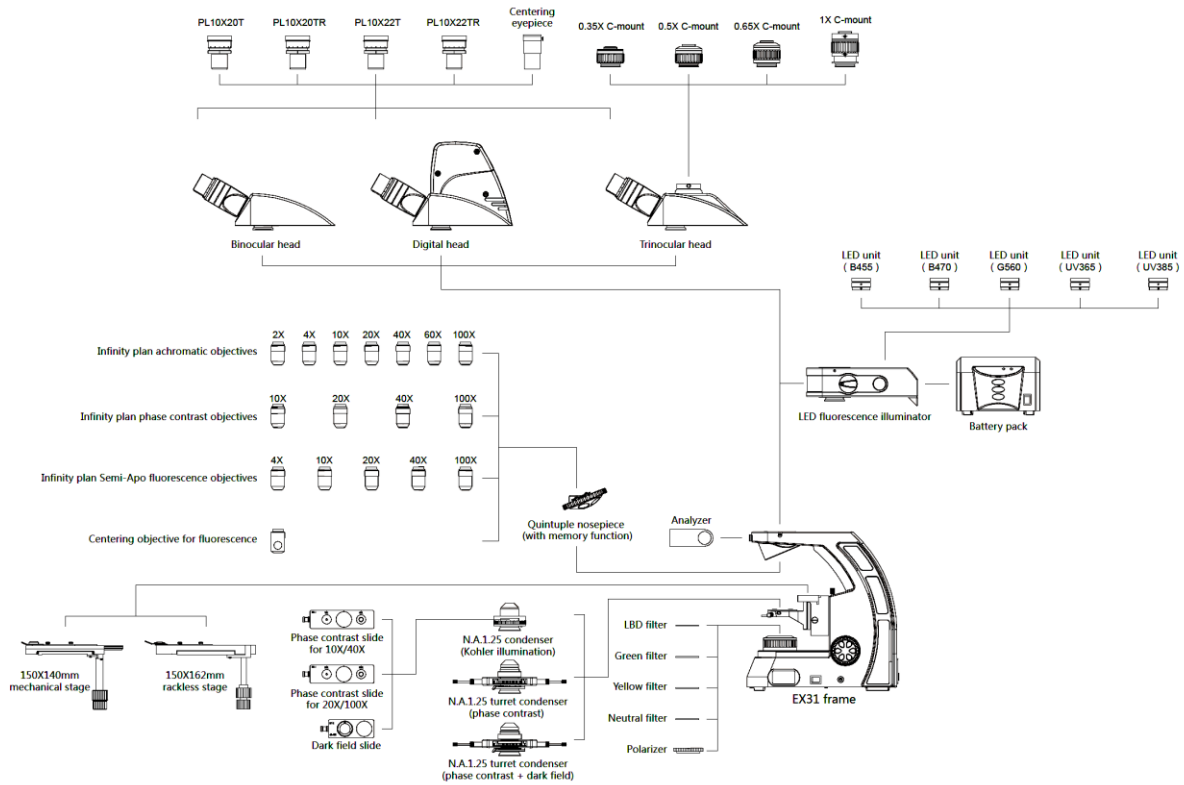
### Built-in multi-functional digital camera

4.0 mega pixels CMOS camera, presents high definition image, supports for multi-signal output (HDMI/USB/WIFI), with noninterference, is easy for image capture and store

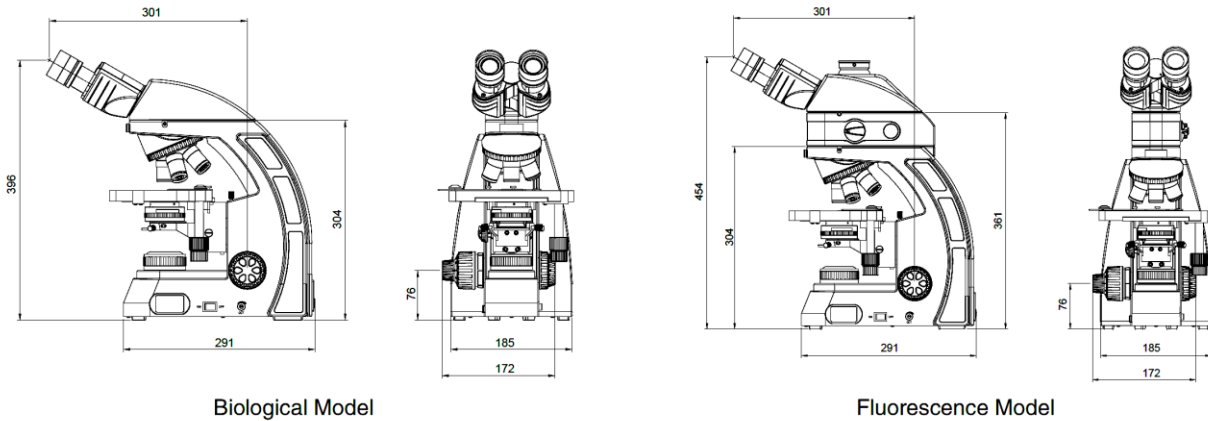


## Star EX31 Specification

Optical system	Infinity chromatic aberration system
Viewing head	30 degree binocular viewing head with fixed diopter, 360 degree rotatable, interpupillary distance: 50-75mm
Eyepiece	High eye-point wide field plan eyepiece PL10X/22mm, diopter adjustable, with/without reticle
Objective	Infinity plan achromatic objectives 2X/4X/10X/20X/40X/60X
Nosepiece	Quintuple nosepiece (with memory function)
Focusing mechanism	Low-position coarse and fine coaxial focusing structure, with tension adjustment and upper limit mechanism
Stage	150×162mm double-layer rackless stage, moving range: 76X50mm, precision: 0.1mm (X axis linear rail)
Condenser	N.A.1.25 Kohler illumination condenser (with slots for phase contrast, dark field), with iris diagram, center adjustable
Transmitted illumination	3W LED (3000K~5600K), light intensity continuously adjustable; LCD beside the frame to show the color temperature and the objective magnification
Power adapter	External power adapter, input 100V-240V, output 15V2.67A
Camera adapter	0.35X/0.5X/0.65X/1X focusing C-mount
Other accessories	Dark field unit, phase contrast unit, polarizer and analyzer



### EX31 Dimension (mm)



Biological Model

Fluorescence Model



Design and production adheres to ISO 14001 International quality standard

Design and production adheres to ISO 9001 International quality standard

Design and production adheres to ISO 13485 International quality standard

BUREAU VERITAS Certification

UKAS QUALITY MANAGEMENT

# Ray wild

Ray Wild Limited Company  
Germany

[www.Raywild-de.com](http://www.Raywild-de.com)

We focus on high quality products with competitive prices and after sales service