



Ray Wild Limited Company
Germany

www.Raywild.de

We focus on high quality products with competitive prices and after sales service

Fluoroscope Polar Series

Polarizing Microscope



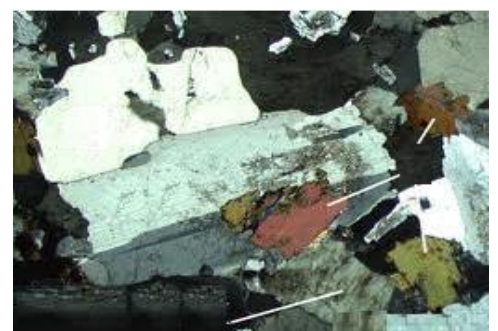
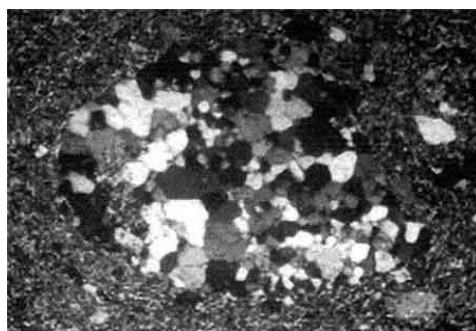
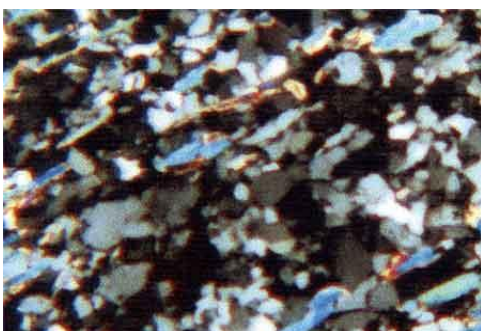
Fluoroscope
Polar T/R



Fluoroscope
Polar T

Fluoroscope Polar Series Research Polarizing Microscope

Laboratory microscope for research applications with high power 6V 20/30W long life halogen transmitted illumination and reflected light observation. High quality with contrast image with strain free objectives , with 30 degree mechanical detachable stage .





Ray Wild Limited Company
Germany

www.Raywild.de

We focus on high quality products with competitive prices and after sales service

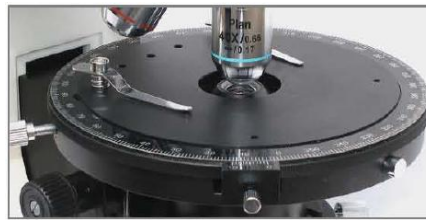
Professional dedicated polarizing binocular head can keep the cross in the right-hand eyepiece always same when the eyepiece tubes turned.



Bertrand Lens 3600 rotatable analyzer(with division, can be locked), can be moved out of the light path.



Centering Nosepiece



Centering Revolving Round Stage



Polarizer



Swing – Out Condenser

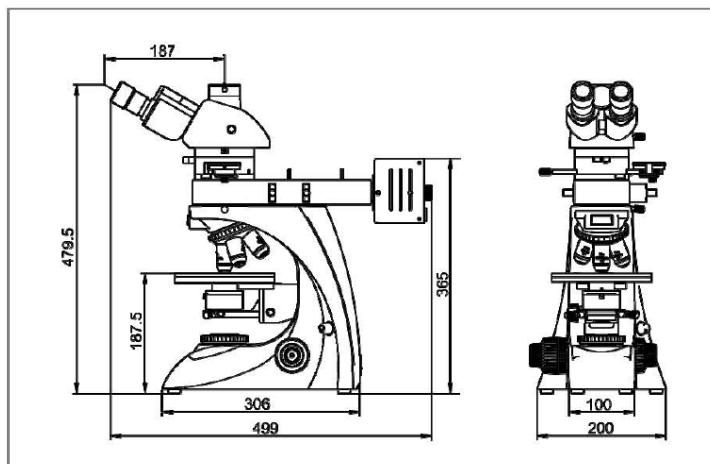


Polarizing Attached Mechanical Stage

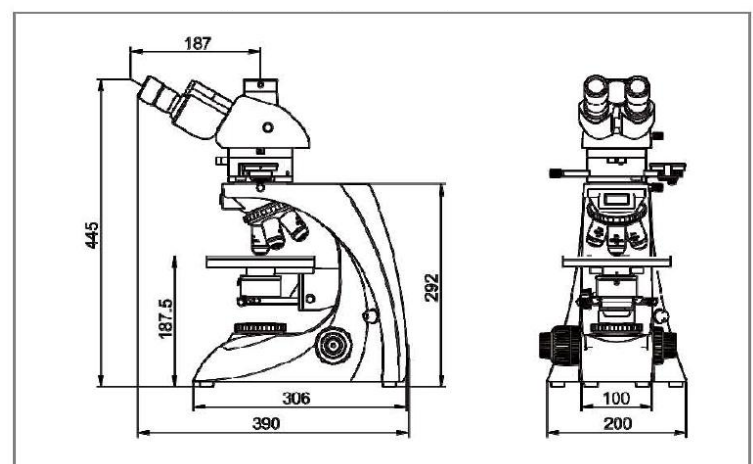


Compensator

Fluoroscope Polar T/R polarizing Microscope dimensions (mm)



Fluoroscope Polar T polarizing Microscope dimensions (mm)





Fluoroscope Polar T/R

Specification

No.	DESCRIPTION		PK
1	Eyepiece	WF10×/20mm	●
		WF10×/20mm Reticle (0.1mm)	●
2	30°Inclined Gemel type binocular head		●
3	30°Inclined Gemel type trinocular head		○
4	Objective	Infinity	●
		Stress-less	●
		Plan	●
		Achromatic	●
		Objective	●
		4×/0.1	●
		10×/0.25	●
		20×/0.40 (S)	●
		40×/0.65 (S)	●
		60×/0.80 (S)	●
5	Reversed quintuple nosepiece (Reversed quadruple nosepiece is optional)		●
6	Intermediate tube	360° Rotation analyzer (can be locked)	●
		Built-in focusable Bertrand lens	●
7	1λ		●
8	1/4λ		●
9	Quartz Wedge (I ~ IV)		●
10	360° Rotation Stage, centering adjustable, that is graduated in 10 increments and includes a vernier reading to 6'		●
11	Movable Ruler		○
12	N.A.1.25 Abbe Condenser (Stress-less)		●
13	Polarizer with lock Can be rotated 3600		●
14	The 6V/20W halogen Illuminator with Continuously variable intensity control (6V/30W is option)		●
15	Filter	Blue filter	●
		Yellow Filter	○
		Green Filter	○
		Neutral Filter	○
16	Spanner		●
17	CCD adapter (1× , 0.5×)		○
18	Digital Camera Adapter		○
19	Reflected Polarizing Unit	12V/50W Lamp House	●
		Power Supply Case	●
		Field diaphragm Choosing Slide	●
		Polarizer Choosing Slide	●



Ray Wild Limited Company
Germany

www.Raywild.de

We focus on high quality products with competitive prices and after sales service



Fluoroscope Polar T

Specification

No.	DESCRIPTION		PK
1	Eyepiece	WF10×/20mm	●
		WF10×/20mm Reticle (0.1mm)	●
2	30°Inclined Gemel type binocular head		●
3	30°Inclined Gemel type trinocular head		○
4	Objective	Infinity Stress-less Plan Achromatic Objective	●
		4×/0.1	●
		10×/0.25	●
		20×/0.40 (S)	●
		40×/0.65 (S)	●
		60×/0.80 (S)	●
5	Reversed quintuple nosepiece (Reversed quadruple nosepiece is optional)		●
6	Intermediate tube	360° Rotation analyzer (can be locked)	●
		Built-in focusable Bertrand lens	●
7	1λ		●
8	1/4λ		●
9	Quartz Wedge (I ~ IV)		●
10	360° Rotation Stage, centering adjustable, that is graduated in 10 increments and includes a vernier reading to 6'		●
11	Movable Ruler		○
12	N.A.1.25 Abbe Condenser (Stress-less)		●
13	Polarizer with lock Can be rotated 3600		●
14	The 6V/20W halogen Illuminator with Continuously variable intensity control (6V/30W is option)		●
15	Filter	Blue filter	●
		Yellow Filter	○
		Green Filter	○
		Neutral Filter	○
16	Spanner		●
17	CCD adapter (1× , 0.5×)		○
18	Digital Camera Adapter		○

- Mark" ● "standard outfit. Mark:" ○ "optional parts